



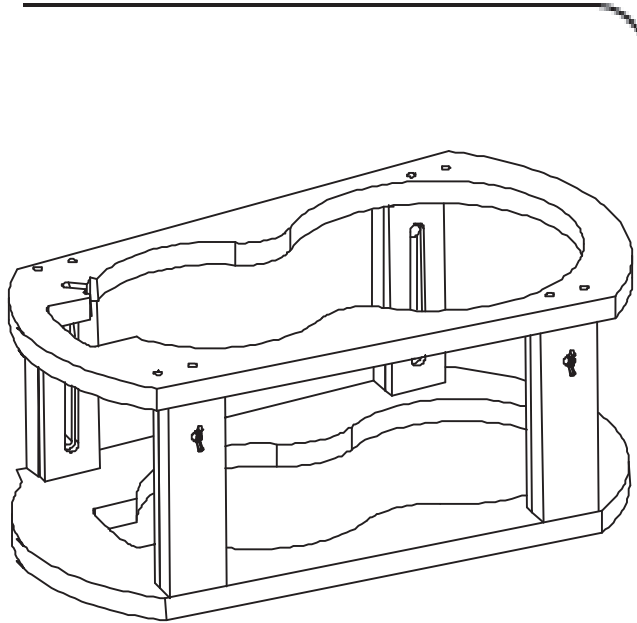
Owner's Manual

ADJUSTABLE RAISER / STAND FOR AUTO PET FEEDER / WATERER

MODEL NO

2000 FFS

2000 FWS



Where Purchased : _____

Date purchased : Month _____

: Day _____

: Year _____

Model No. : _____

Serial # : _____

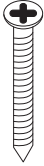
Read and keep this manual for future reference.

This manual contains important information on Assembly.

ADJUSTABLE RAISER / STAND FOR FEEDER / WATERER

PARTS LIST

①



1x16

②



1x4

③



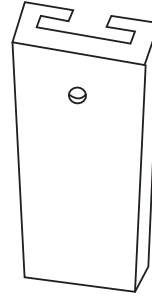
1x4

④



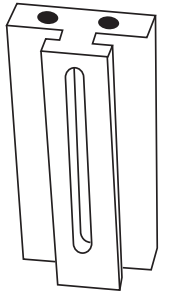
1x4

⑤



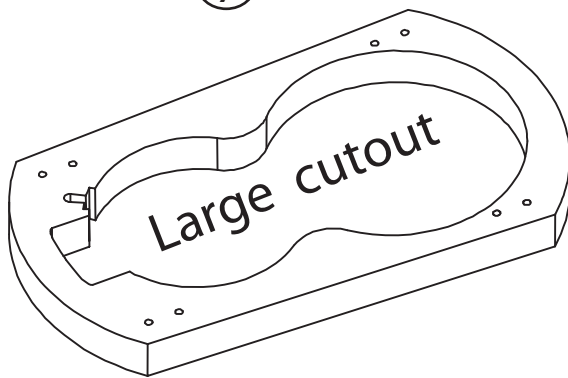
1x4

⑥



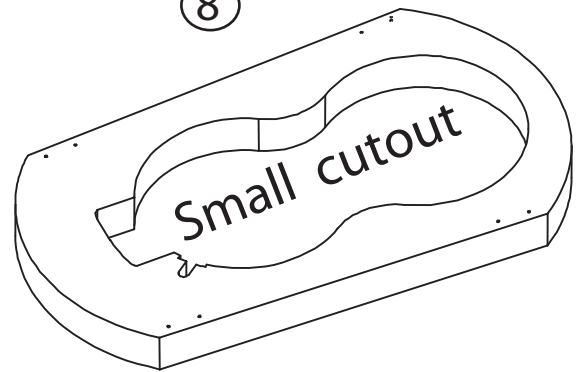
1x4

⑦



1

⑧



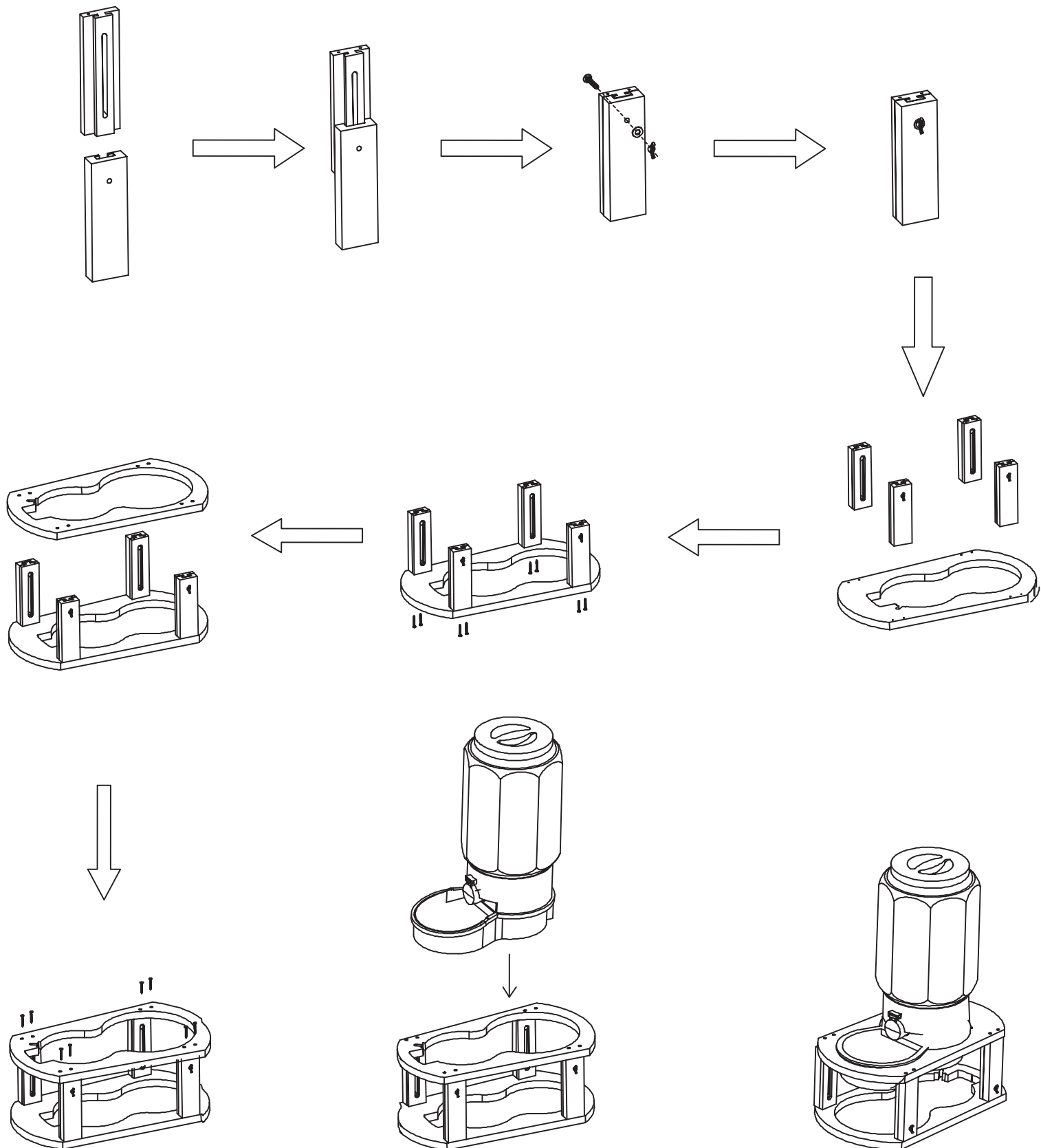
1

1. Screw (16 pcs)
2. Head bolt (4 pcs)
3. Washer (4 pcs)
4. Wing nut (4 pcs)

5. Outer leg (4 pcs)
6. Inner leg (4 pcs)
7. Wood frame - large cutout (1 pc)
8. Wood frame - small cutout (1 pc)

Check if you have received all the parts listed above before assembly

ADJUSTABLE RAISER / STAND FOR FEEDER / WATERER ASSEMBLY



Assembly :

Note : This stand accommodates for the use of a small, medium or large feeder waterer. Use one side for small and medium and the other for large feeder / waterer.

- Step 1:** Assemble the inner legs (6) into the groove of the outer legs (5) and tighten it with 4 sets of bolts (2) washers(3) and wing nuts (4).
- Step 2:** Install the four outer legs (5) with “T” slots, on to the wood frame with a small cutout (8). Use the 8 screws (1) to do this. Do not over tighten or the assembly may crack.
- Step 3:** Fix the other end of the inner legs to the wood frame with a large cutout (7). Use the 8 screws (1) to do this. Do not over tighten or the assembly may crack.
- Step 4:** Use the large cutout for the large feeder /waterer and the small cutout for the small and medium feeder / waterer. Flip the stand over if necessary.
- Step 5:** The overall height of the feeder / waterer stand may be adjusted to accomodate for your pet’s convenience by unscrewing the wing nuts and sliding the upper and lower assembly to the desired height. Tighten the wing nuts (4) after you set the height.

NOW YOUR ADJUSTABLE RAISER / STAND FOR AUTO PET FEEDER / WATERER IS READY FOR USE

Ergo Systems Inc.,

E-Mail
support@ergosys.net

Toll-Free Phone. US only
1-888-ERGOSYS
(1-888-374-6797)

Website
<http://www.autopetfeeder.com>

International Phone
1-630-543-7686



Warranty Registration
<http://www.autopetfeeder.com/warranty.asp>

Fax
1-866-899-5389